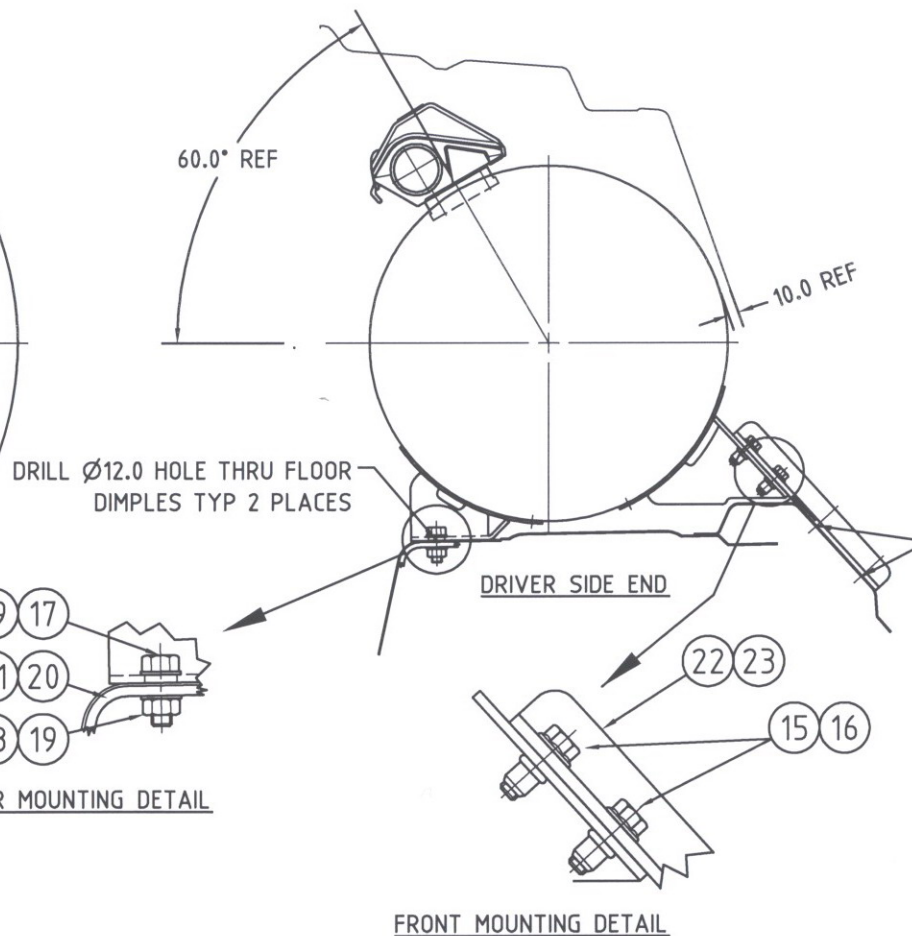
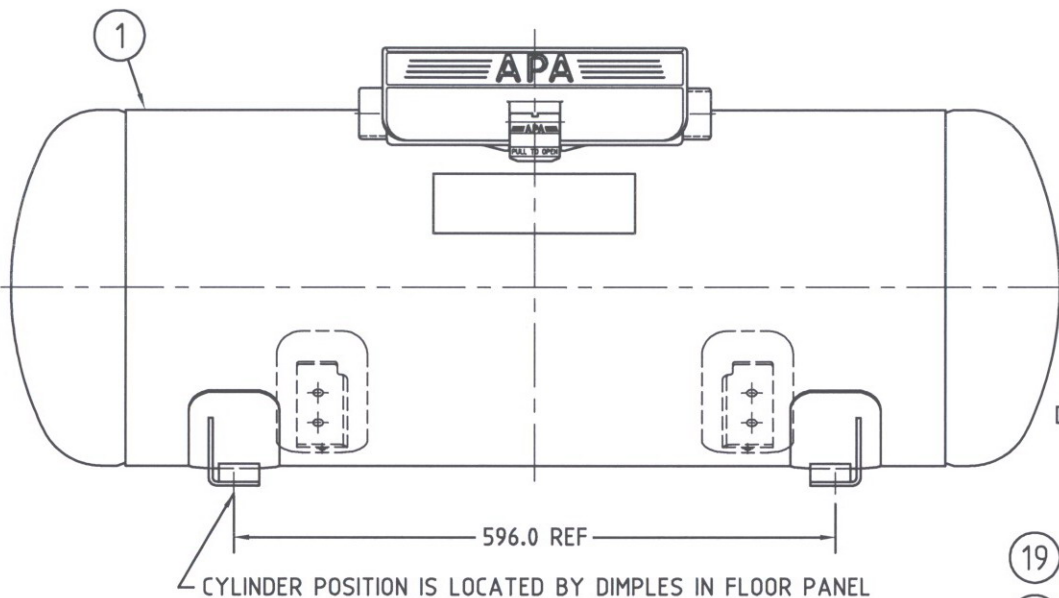
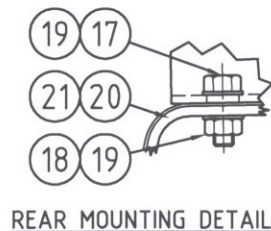


HOLDEN VT/VZ SEDAN - LPG CYLINDER F104H



PARTS LISTING				
BOLT AND BRACKET KIT No - SP41				
ITEM	DESCRIPTION	QTY	STOCK CODE	SPECIFICATION
1	CYLINDER ASSEMBLY	1	F104H	DRG No PP94448
15	SCREW - M8 x 25LG HEX HEAD	4	MX327PV	8.8 DN2900
16	WASHER - M8	4	MX338PV	Z/P STEEL
17	BOLT - M10 x 30 LG GD8.8	2	MX295PV	Z/P STEEL
18	NUT - NYLOC M10	2	MX056PV	Z/P STEEL
19	WASHER - M10	4	MX057PV	Z/P STEEL
20	BAR - BACKING GMH L/H	1	AA044PV	Z/P STEEL
21	BAR - BACKING GMH R/H	1	AA045PV	Z/P STEEL
22	BRACKET - FRONT INTERMEDIATE - R/HAND	1	AF057PV	DRG No PP94275
23	BRACKET - FRONT INTERMEDIATE - L/HAND	1	AF058PV	DRG No PP94275
	CYLINDER MOUNTING INSTRUCTIONS	1	MX763PV	DRG No XD94364
	PLASTIC BAG	1	MX080PV	



FRONT MOUNTING DETAIL

ASSEMBLE ITEMS 22 & 23 UNDER
ARM REST MOUNTING BRACKET
BOLT THRU BOTH BRACKETS USING EXISTING BOLTS

DRG NO : XD94364A PRODUCTION ISSUE DATE : 10.9.09
STOCK CODE : MX763PV
ISSUED BY : WW SIGNATURE : *[Signature]*
ISSUED TO : AX * WEBSITE



Information is stored in the file PRODIS.LST in the directory of the respective category.